
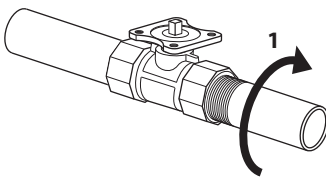


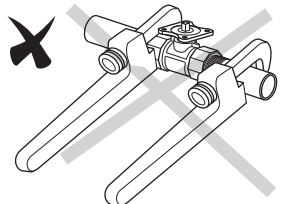
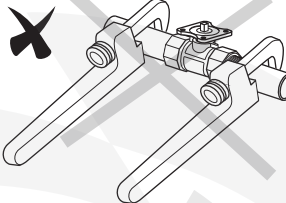
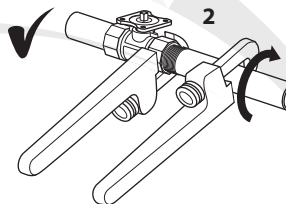
Valve, Ventil, Клапан, Ventil


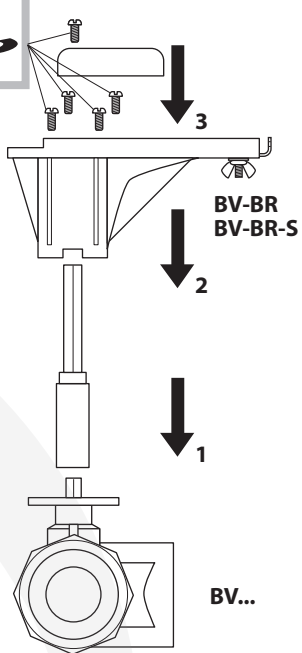
BV

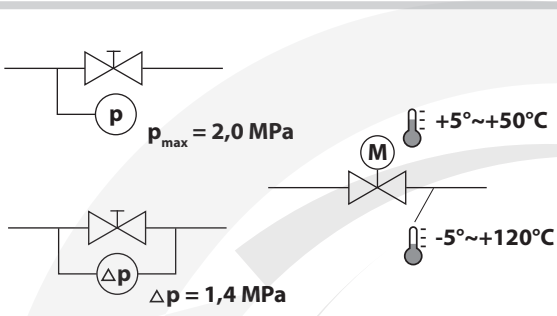


LUFBERG
CONSTRUCTIVE DECISIONS

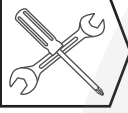



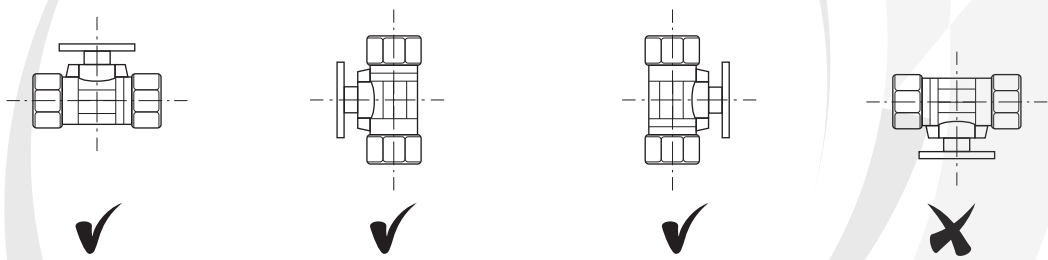




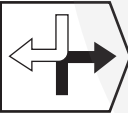



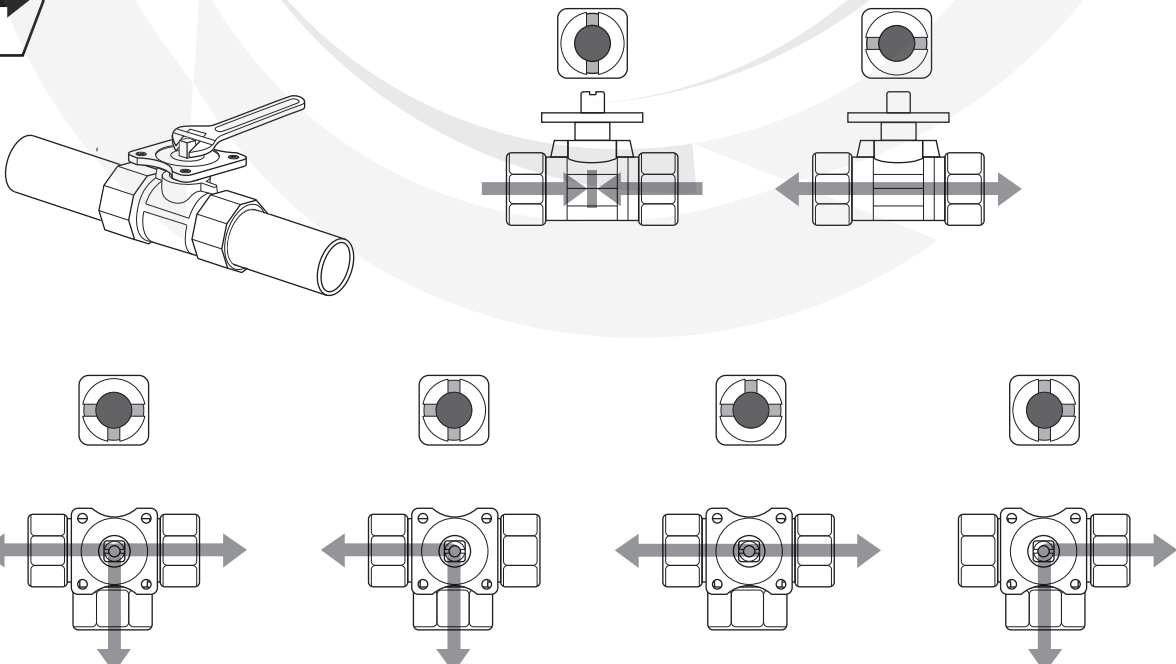


$p_{max} = 2,0 \text{ MPa}$
 $\Delta p = 1,4 \text{ MPa}$
 $+5^{\circ} \sim +50^{\circ} \text{C}$
 $-5^{\circ} \sim +120^{\circ} \text{C}$







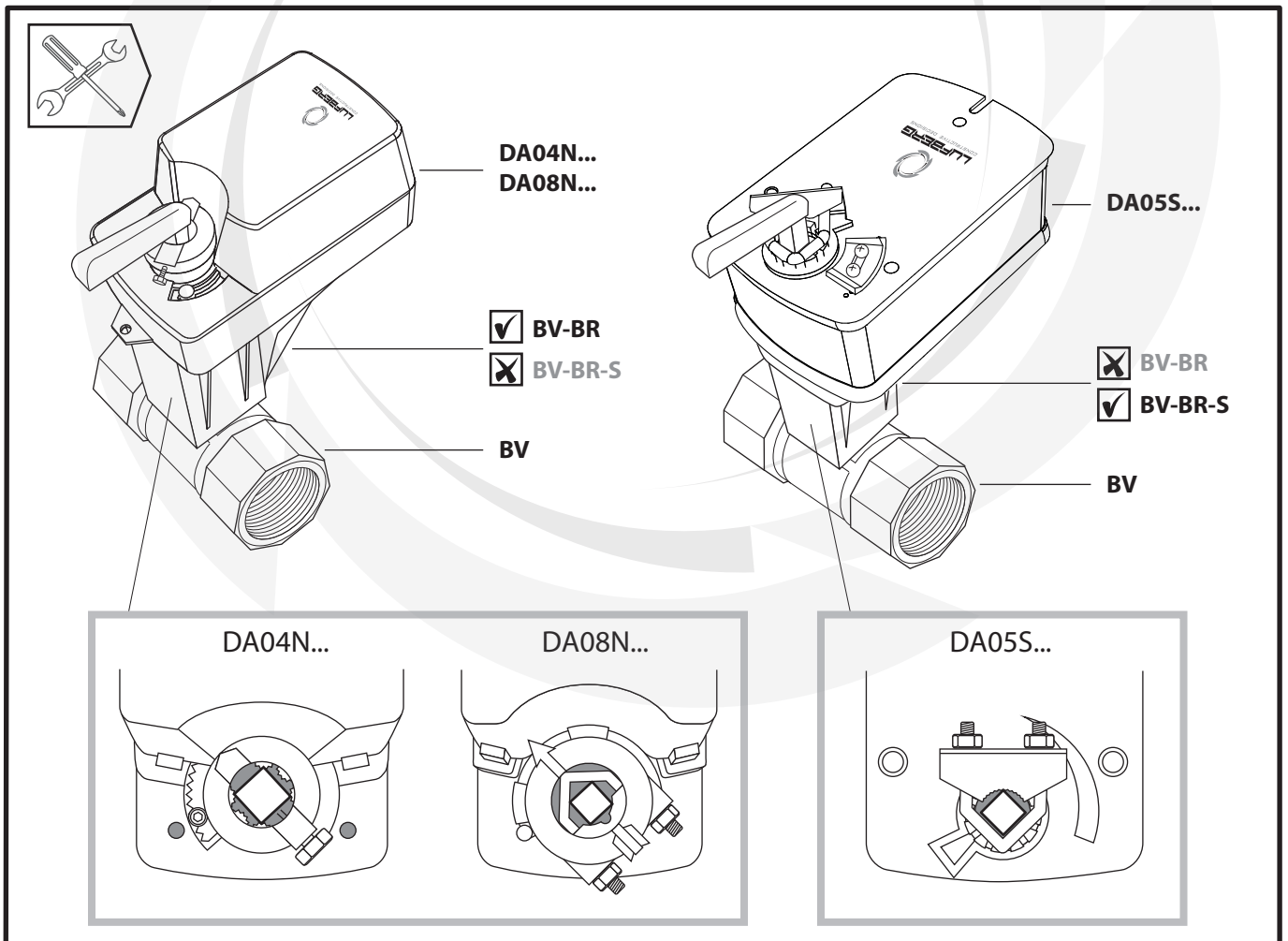
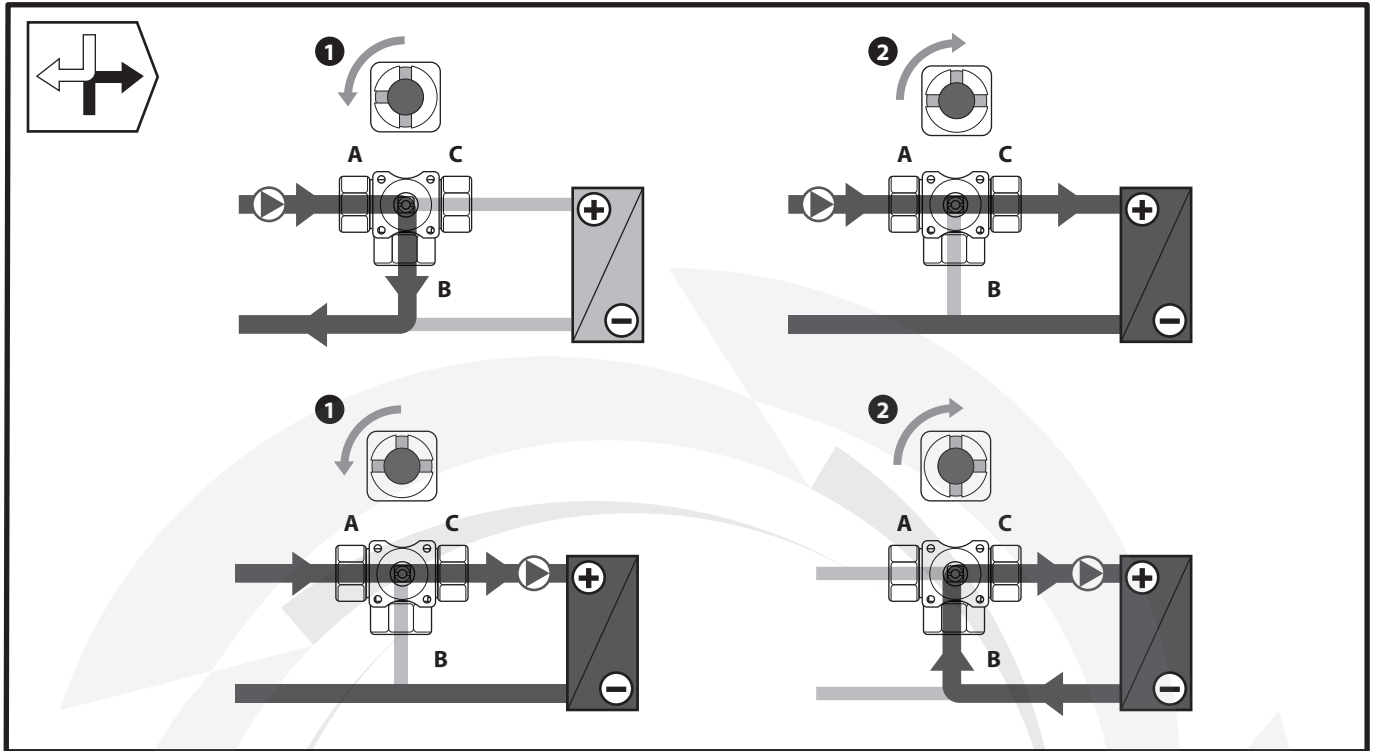


Valve, Ventil, Клапан, Ventil

BV



LUFBERG
CONSTRUCTIVE DECISIONS



All rights reserved.
The company Lufberg reserves the right to change technical specifications of product without previous announcement.
On these product was issued Declaration of conformity in accordance with those directives: the Low Voltage Directive 2006/95/EC, the Electromagnetic Compatibility Directive 2004/108/EC and Machinery Directive 2006/42/EC

